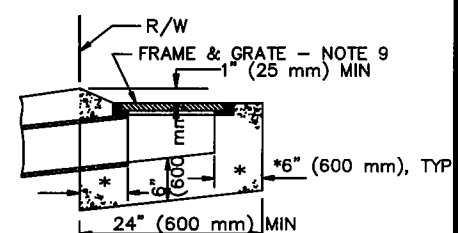
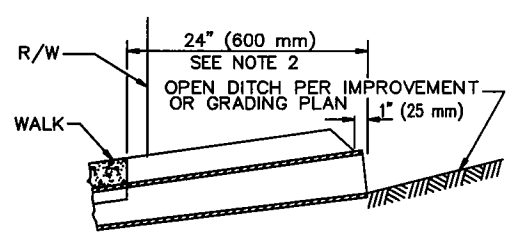


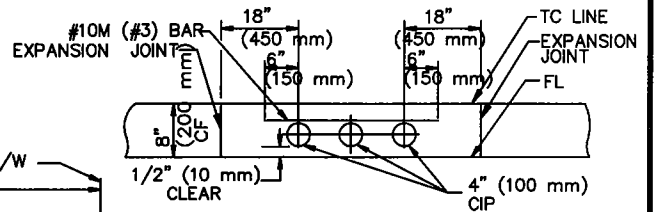
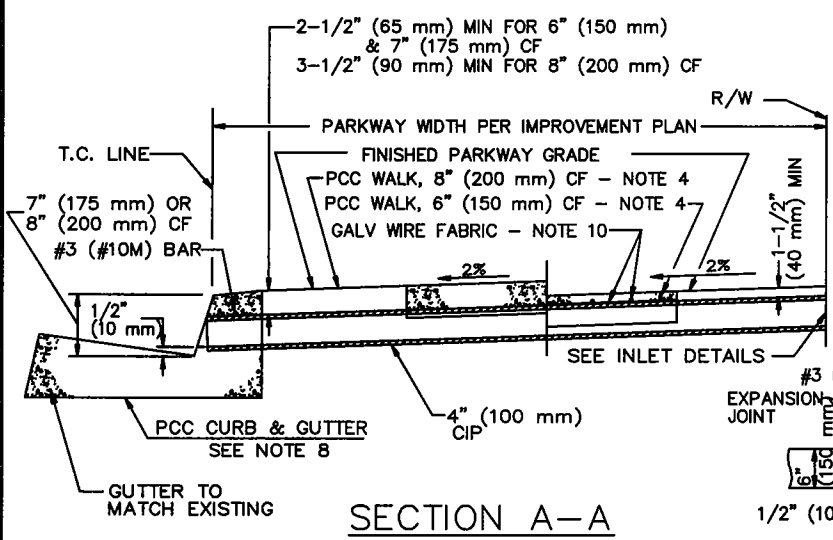
CASE I INLET
TRANSITION STRUCTURE SECTION



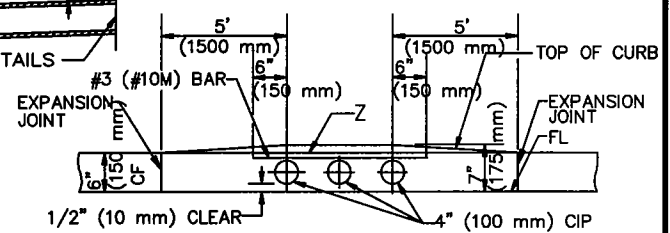
CASE II INLET
DROP INLET CATCH BASIN SECTION



CASE III INLET
GRADED DITCH SECTION



NOTE: APPLIES TO ANY NUMBER OF PIPES
CURB PROFILE
8" (200 mm) CURB FACE



NOTE: APPLIES TO ANY NUMBER OF PIPES
Z = TOP-OF-CURB LINE SHOWN ON PROFILE
CURB PROFILE
6" (150 mm) CURB FACE

STANDARD PLANS FOR PUBLIC WORKS CONSTRUCTION

PROMULGATED BY THE
PUBLIC WORKS STANDARDS INC.
GREENBOOK COMMITTEE
1984
REV. 1992, 1996, 2009

CURB DRAIN

STANDARD PLAN
150-3
SHEET 1 OF 2

USE WITH STANDARD SPECIFICATIONS FOR PUBLIC WORKS CONSTRUCTION